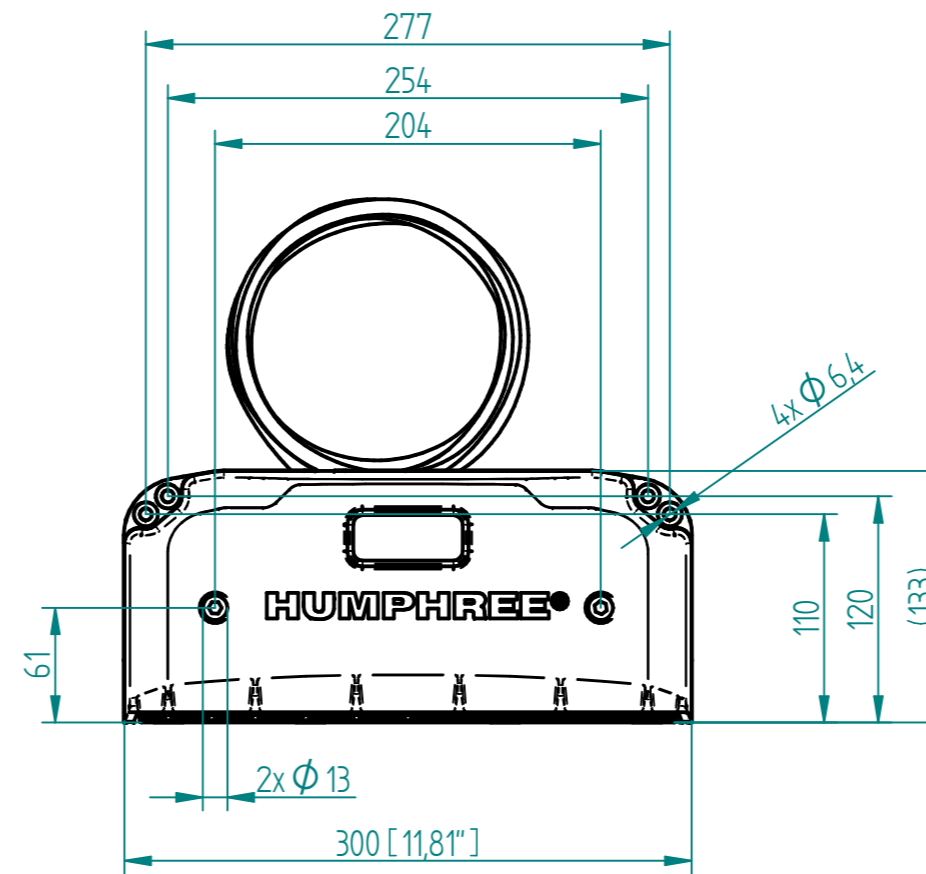
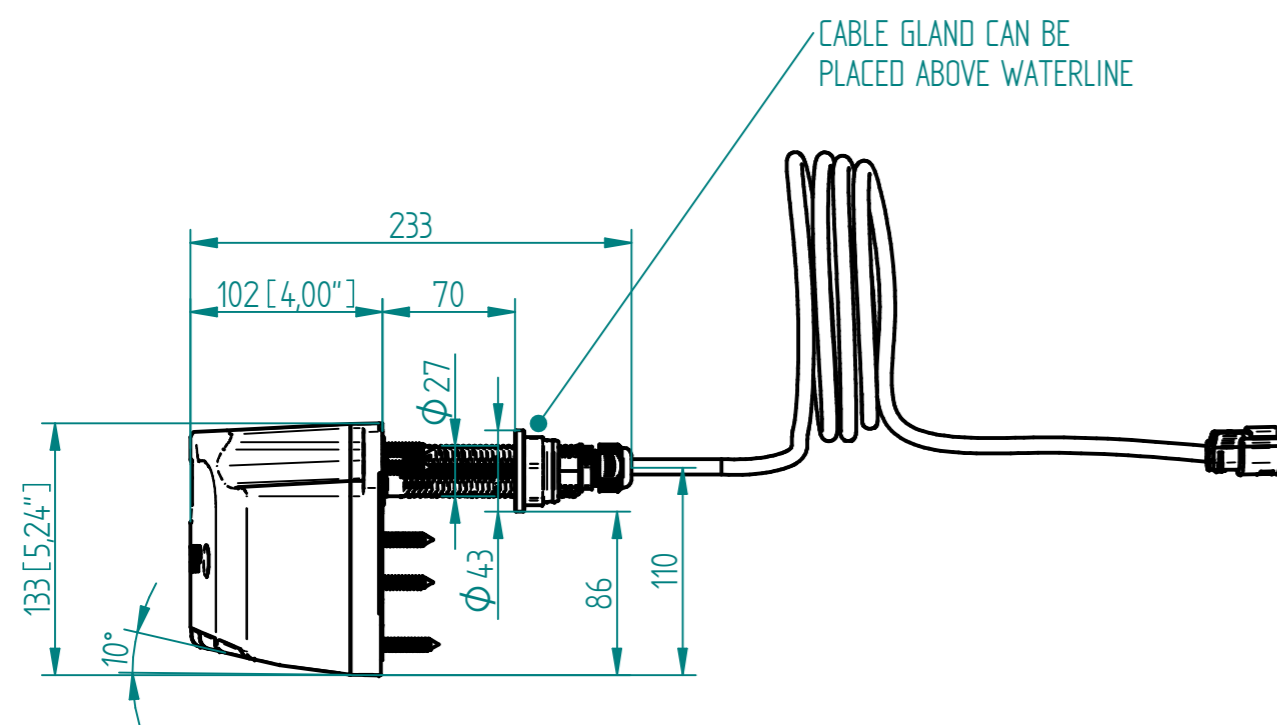


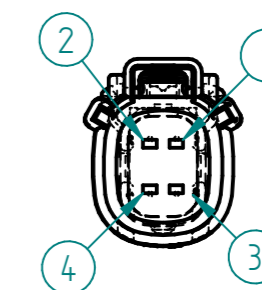
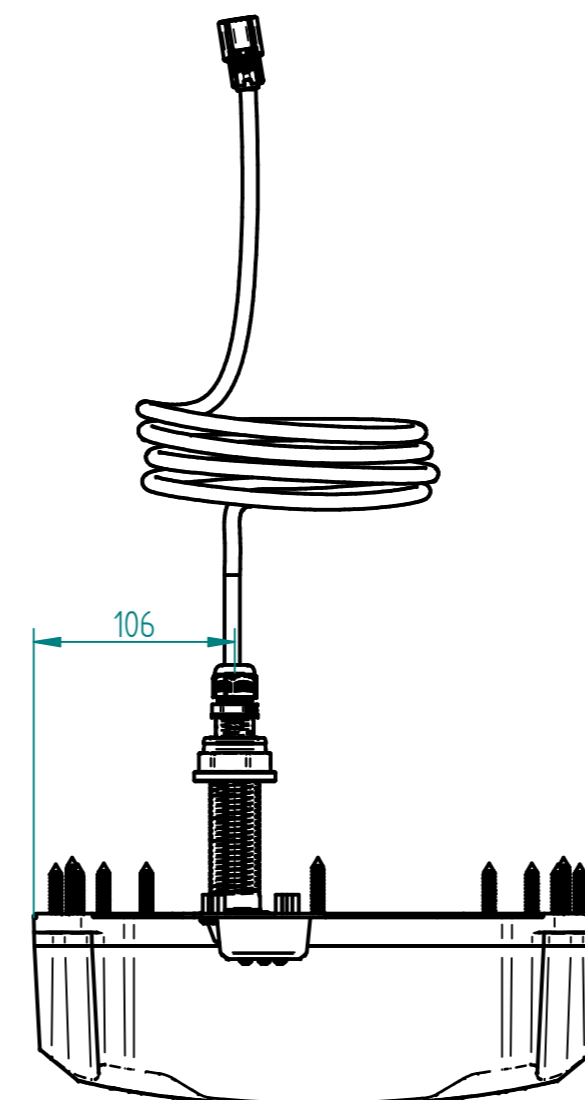
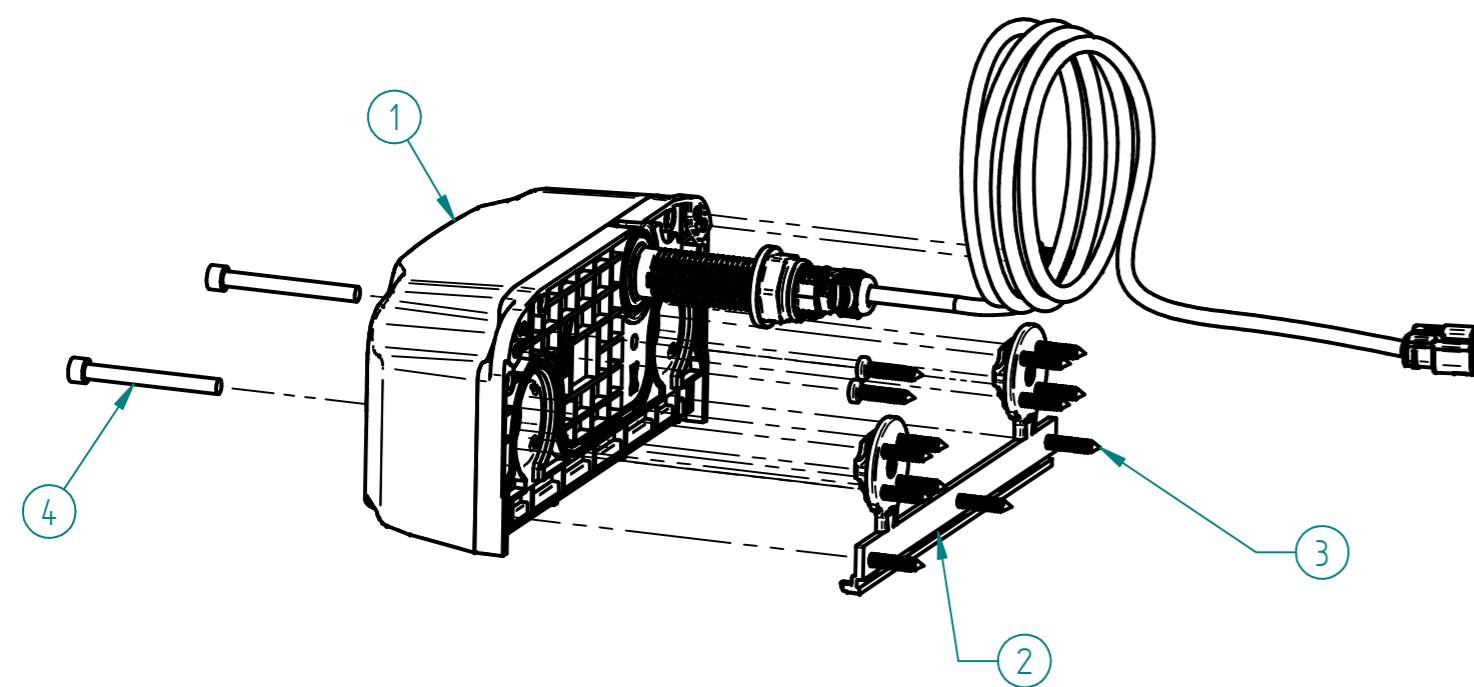
REV	REVISION DESCRIPTION	DATE	SIGNED
02	Improved measurement of system power	20230331	BH
03	Production adjustments	20231124	BH



Physical	
Dimensions (L x H x D)	300x133x102 (233) mm
Weight	3,7 kg
Color	Black

Power	
Supply voltage	10-30 VDC
Power consumption	See technical specification
Cable length	4 m

Environmental	
Operating temp.	+1°C to 60°C
Storage temp.	-30°C to 80°C
IP Class (Interceptor + 0,5m of cable from interceptor)	IP68



Molex pin (See technical specification for more info)		
Pin number	Type	Wire color
1	VBAT	RED
2	CAN LO	GREEN
3	CAN HI	YELLOW
4	GND	BLACK

SPARE PARTS		
See spare parts drawing 040863 for all lightning spare parts		
ITEM	DESCRIPTION	PART NUMBER
1	L300	023818 (includes 1x023485, 16x023597, 2x011239)
2	Interceptor bracket	023485
3	Screw TX 6.3x32 ISO14585 A4 T30	023597
4	BOLT M8x75 MC6S A4-80 HEX 6	011239

ITEM	QTY	DESCRIPTION	MATERIAL	SIZE	PART NUMBER	REV
This document contains information of a proprietary nature and is delivered on the express condition that it is not to be disclosed, used or reproduced in whole or in part without the written consent of HUMPHREE AB.						DOCUMENT TYPE
FILE NAME						CUSTOMER DRAWING
DEV. STAGE P						RELEASE DATE 2023-11-24
TITLE						STATUS
Interceptor L300 ASM						Released
DRAWN BH						DATE CREATED 2023-11-29
CHKD PL						DRAWING NO
APPVD CW						REV
HUMPHREE® www.humphree.com						023818 03
SIZE	SHEET	SCALE	UNITS: mm			
A2	1 OF 1	1:4				